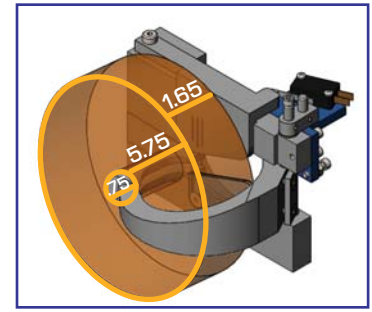
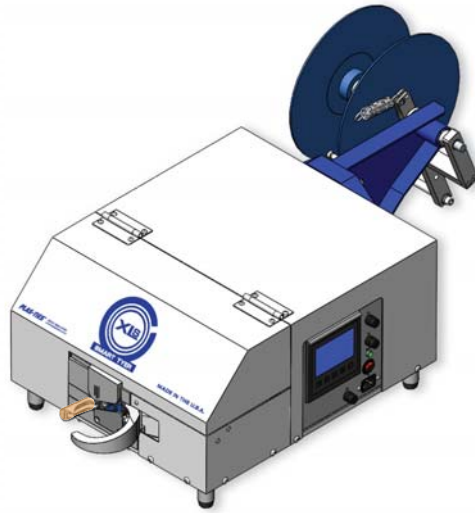
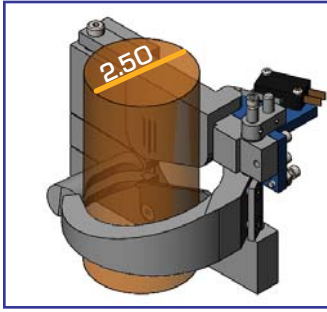


XLS-3 SMART TYER
with **SMART POST**



The XLS-3 SmartTyer is a compact twist-tying machine built with a specialized "POST" to accommodate small Internal Diameter (ID) products. Computerized Tension Control secures everything from delicate products (requiring a looser finish) to larger diameter products that require a secure tie.

XLS-3 SMART TYER

WITH SMART POST

Genuine Plas-Ties' Twist Tie Material required for optimal performance

FEATURES:

- :: **Integrated Tension Control**
- :: Quiet, 110V Operation
- :: Smaller Footprint Design
- :: Easy Operation & Maintenance
- :: Variable Tie Length & Twist Options
- :: Variety of Twist Tie Material Choices

XLS-3 SPECS

Recommended Spool	Exclusive Plas-Ties Precision Wound Twist Tie Material #449, 24 & 27-gauge (available upon request)				
Electric Power	110V (5 AMPS) - Safety Lock Plug				
Weight	85 lbs / 38.56 kg (unit only - without spool material)				
Ring Options	Max. 3" diameter tying capacity at introduction				
Additional Options	XLS-3V / Pedestal Stand (505R033) / XLS-3H / Bracket (DT-635) / Rolling Cart				
Physical Specs	Depth	Depth (w/ring & brake)	Width	Height	Clearance Height
	19 in	37.5 in	16 in	10 in	23.0 in
Vertical Brake	19 in	36.8 in	18.5 in	12 in	23.0 in
Horizontal Brake	19 in	36.8 in	18.1 in	14.25 in	23.0 in

BENEFITS:

- :: **"SMART POST"**- Safely accommodates small Internal Diameter (ID) applications
- :: **Custom Programmable**- Variable options to adjust speed, tying tension & finishes
- :: **Superior Versatility**- Wide variety of tying options & material choices
- :: **Labor Saving**- Accelerates product bundling & reduces repetitive employee hand motion stress

VERTICAL CONFIGURATION



XLS-3V

HORIZONTAL CONFIGURATION



XLS-3H

Applications:

- : Cords / Cables
- : Hoses / Tubing
- : Produce / Flowers
- : Fiber Optics
- : Rods / Coils
- : Textiles / Window Coverings

14272 Chambers Rd Tustin, CA 92780
(800) 854-0137 FAX: (714) 972-2978
www.plasties.com info@plasties.com