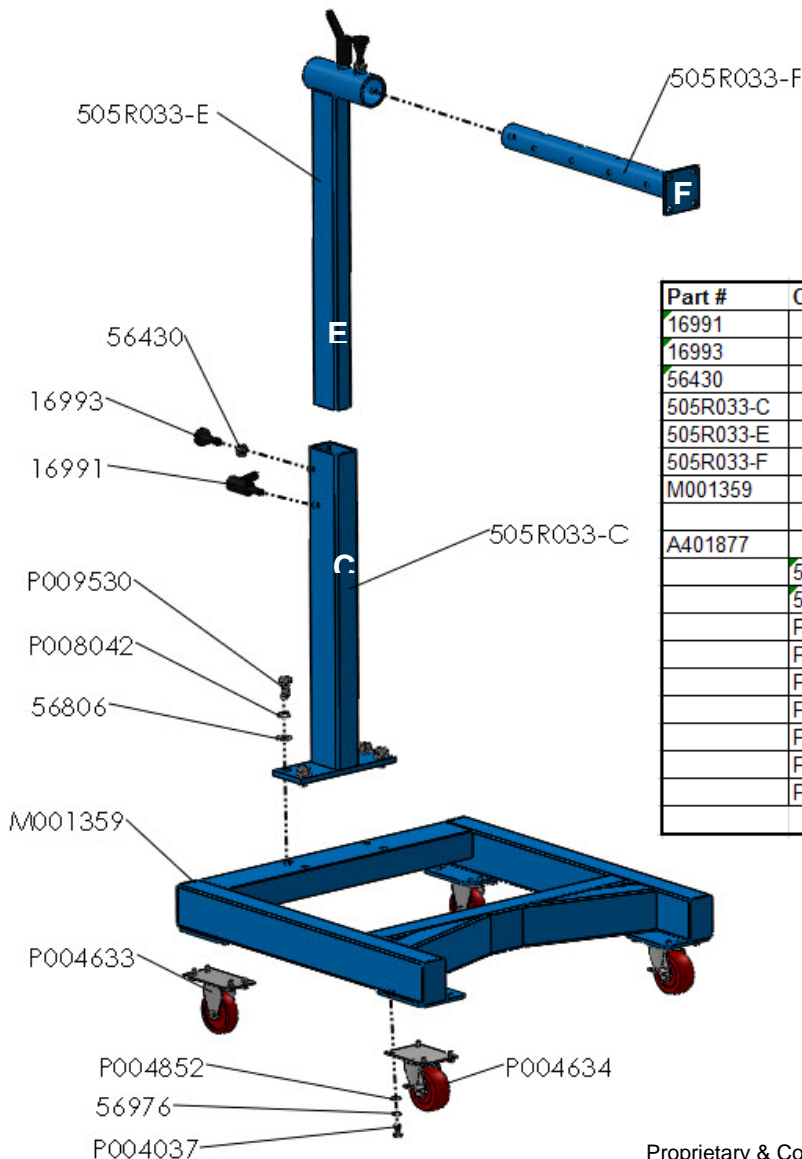


Pedestal Stand Assembly (#A401876) (HD, XL2, XLS)

(Brackets sold separately)

- 1) Lay out all the parts on the floor. Using 4ea. Bolt (P004037), Lock washer (56976) & Flat washer (P004852), attach 2ea. Swivel Poly Red Casters (P004634) to the front of the Pedestal Base (M001359) as shown.
- 2) Using 4ea. of the same hardware arrangement above, attach 2ea (P004633) Rigid Red Casters to the back of the Pedestal Base (M001359) as shown.
- 3) Reposition the Pedestal Base with the wheel on the floor and using 4ea., Bolt (P009530), Lock washer (P008042) & Flat washer (56806), attach the Pedestal Stand Upright Bracket (505R033-C) onto the Pedestal Base as shown.
- 4) Next, slide-in Pedestal Vertical Bracket (505D033-E) "E" into "C" as shown.
- 5) Now, Slide-in Pedestal Horizontal Bracket (505D033-F) "F" into "E" as shown.
- 6) Place the adjustment upright (E) inside the stationary upright (C) making sure that this assembly is held in place by the non-locking spring plunger (16993 Already Pre-installed). Then install the Pedestal stand lever (16991) and tighten until secure.



Part #	Component	Comp Description	Qty
16991		Pedestal Stand Lever	2.0000
16993		Pedestal Stand Spring Plunger-Non Locking	2.0000
56430		1/2-13 Thin Hex Nut Steel Zinc Plated	2.0000
505R033-C		Pedestal Stand Upright Bracket	1.0000
505R033-E		Pedestal Stand Vertical Bracket	1.0000
505R033-F		Pedestal Stand Horizontal Bracket	1.0000
M001359		Plas-Ties Pedestal Base	1.0000
A401877		Plas-Ties Pedestal Hardware Kit	1.0000
	56806	1/2 Flat Washer Steel Zinc Plated	4.0000
	56976	5/16 Split Lock Washer Steel Zinc Plated	16.0000
	P004037	Pedestal Hex Hd Screw 5/16-18 x 1/2"L	16.0000
	P004633	3" Rigid Poly Red Caster	2.0000
	P004634	3" Swivel Poly Red Caster	2.0000
	P004852	1/4 USS Flat Washer Steel Zinc Plated	16.0000
	P008042	1/2 Split Lock Washer	4.0000
	P009530	1/2-13 x 1" Hex Hd screw	4.0000
	P009535	Ring Shim 0.02Thick x 1/2 x ID*	10.0000
		* Use Shims for leveling casters or as needed	