

CHANGING THE BATTERY ON THE XLS SMART TYER

11/27/19

Changing the battery

The following requirements must be met for the position of the encoder position to be maintained when changing the backup battery:

- The R/E LED on the ACOPOSmicro module must be lit.
- The encoder must be connected to this ACOPOSmicro module.

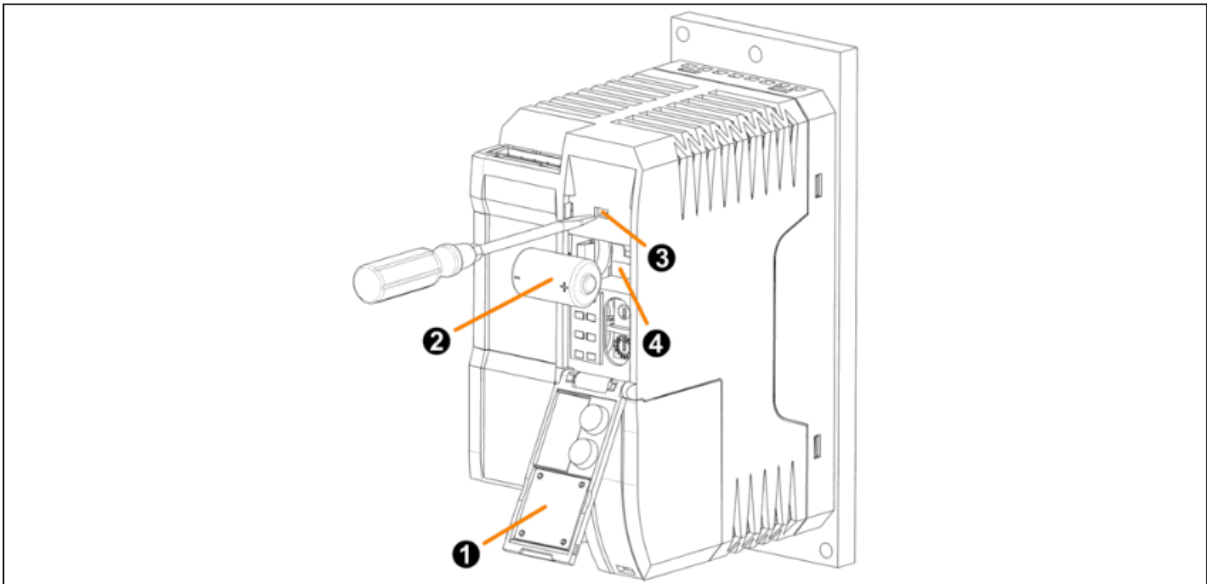
Information:

Make sure to insert the battery with correct polarity!

Used batteries must be disposed of properly!

Replacing/Inserting the backup battery

1. Open the ACOPOSmicro cover flap ❶ from top to bottom.
2. If there is already a backup battery in the module:
 - ▶ Slide a screwdriver into the opening ❸.
 - ▶ This will cause the battery to fall out of the battery compartment ❹.
3. Insert the new backup battery ❷ into the battery holder ❹ as shown.
4. Close the cover ❶.



Backup battery

Order data


Model number	Short description	Figure
I	Batteries	
80XB120A2.36-00	1x lithium battery, 1/2 AA 3.6 V	

Table: 80XB120A2.36-00 - Order data